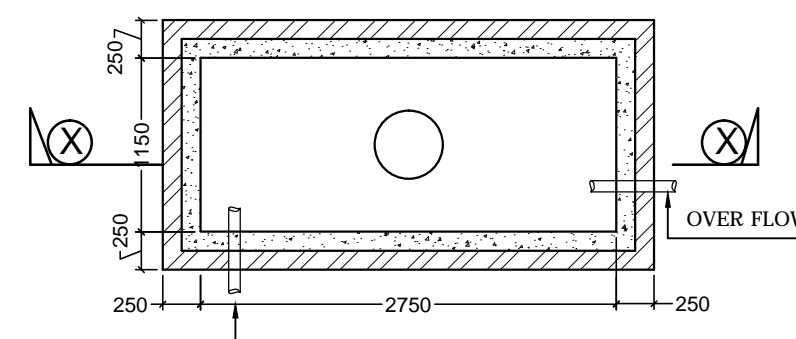
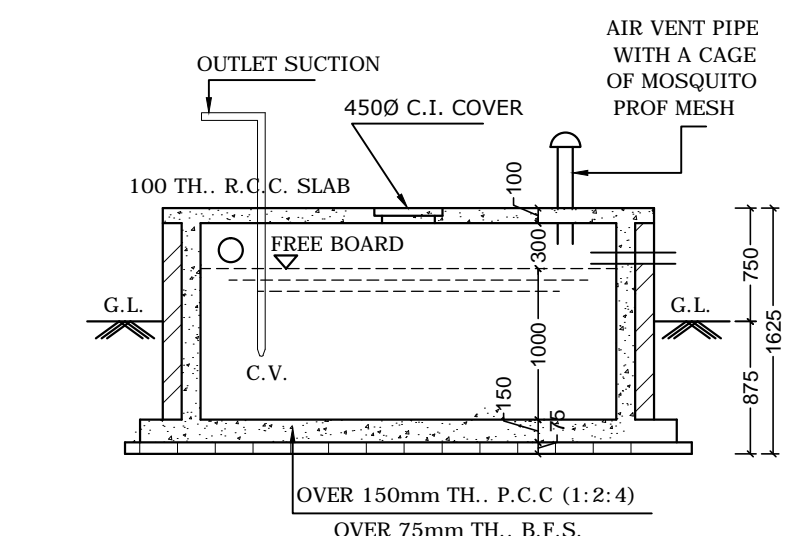
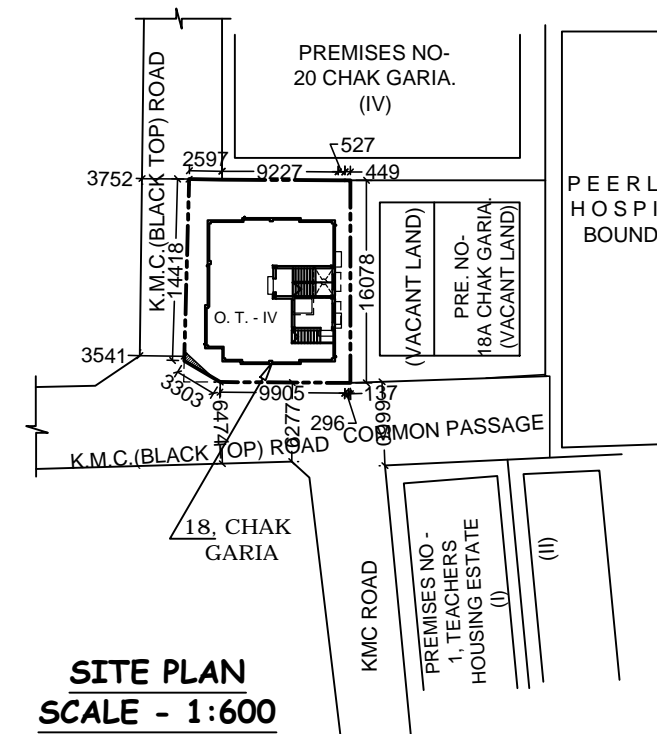


DETAIL OF SEPTIC TANK & CHLORINATION CHAMBER (30 USERS)
SCALE - 1:50

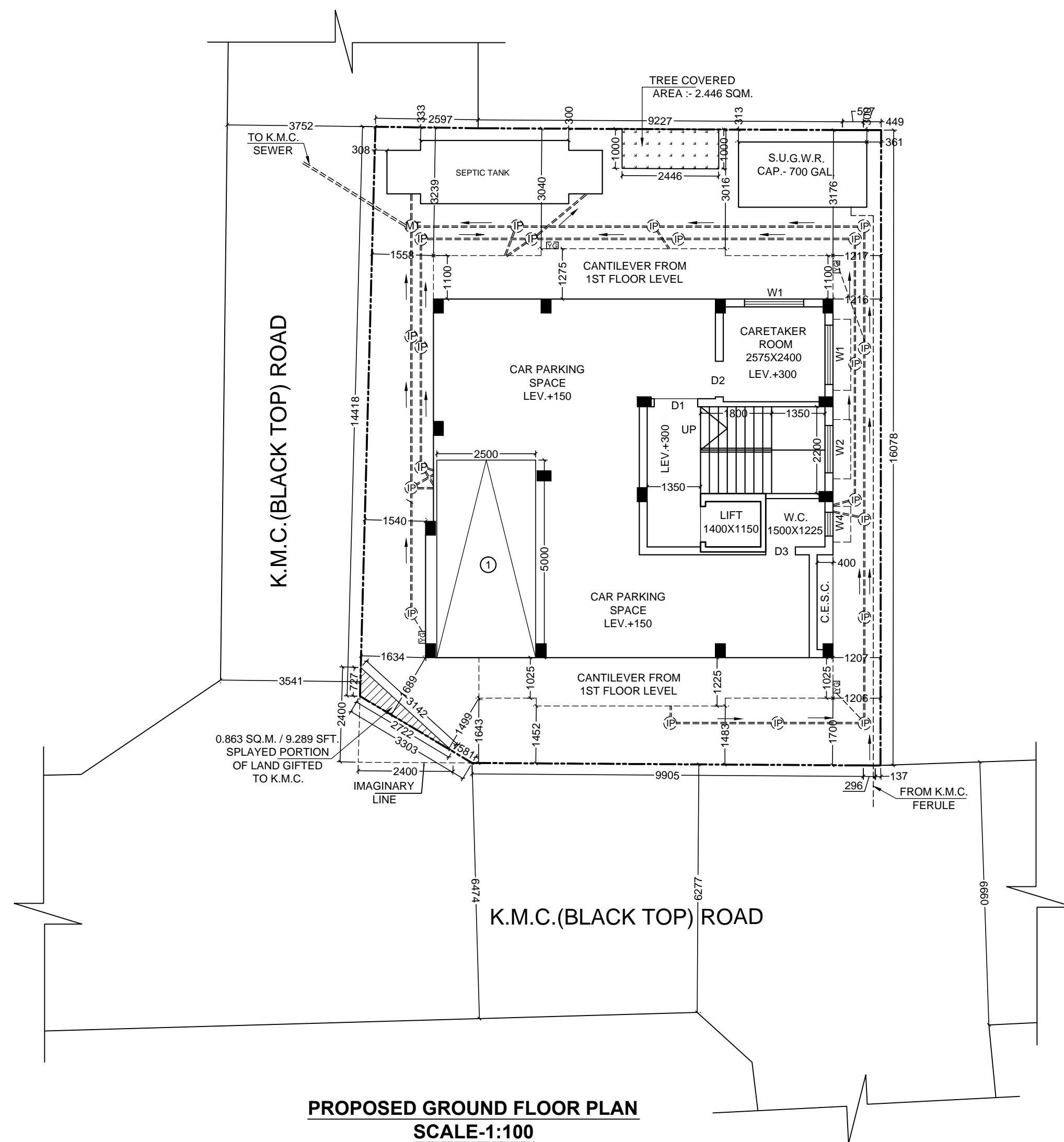


PLAN OF S.U.G. WATER RESERVOIR (CAP = 600 GALLON)
SCALE - 1:50

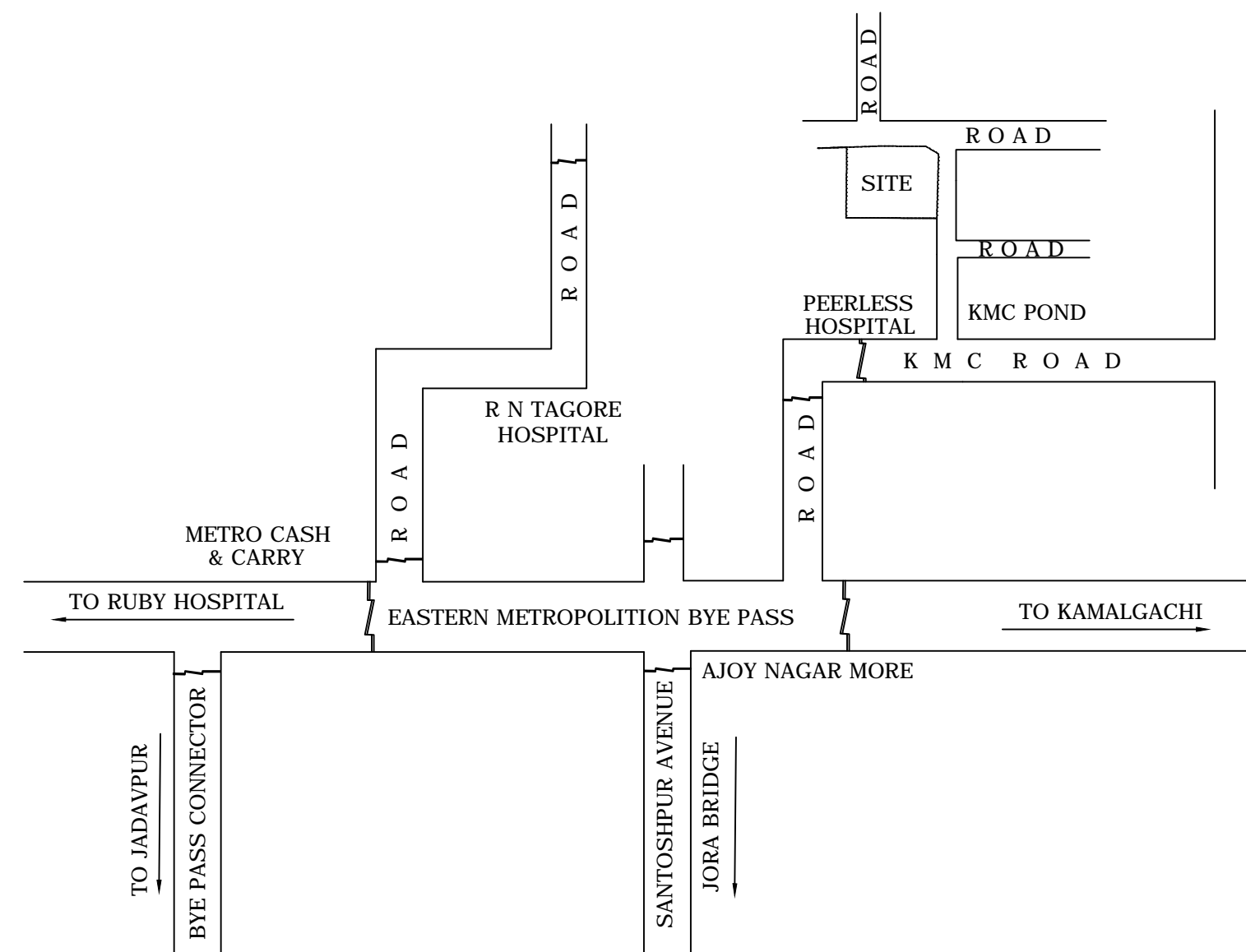


SITE PLAN SCALE - 1:600

DOORS & WINDOWS SCHEDULE					
MKD	WIDTH	HEIGHT	MKD	WIDTH	HEIGHT
DOOR SHCHEDULE			WINDOW SHCHEDULE		
D1	1050	2100	W1	1500	1200
D2	900	2100	W2	1200	1200
D3	750	2100	W3	1050	1200
			W4	600	750



PROPOSED GROUND FLOOR PLAN SCALE-1:100



LOCATION PLAN SCALE - 1:4000

STATEMENT OF PLAN

PART-A:
 1. ASSESSE NO : 311090300184
 NAME OF OWNER & APPLICANT : KALPANA KARMAKAR
 2. DETAIL OF REGISTERED DEED OF GIFT (1):-
 BOOK NO : I, VOL. NO: 70 , PAGE NO: 268 TO 275 , DATE : 25.09.1976
 BEING NO : 3472 , OFFICE : S.R. ALIPORE 24 PARGANAS.
 3. DETAIL OF REGISTERED DEED OF GIFT (2):-
 BOOK NO : I, VOL. NO: 1630-2022 , PAGE NO: 2129 TO 2157 , DATE : 05.01.2022
 BEING NO : 163005482 , OFFICE : D.S.R.V., SOUTH 24 PARGANAS.
 4. DETAIL OF REGISTERED DEED OF GIFT (3):-
 BOOK NO : I, VOL. NO: 1630-2022 , PAGE NO: 2215 TO 2242 , DATE : 05.01.2022
 BEING NO : 163005481 , OFFICE : D.S.R.V., SOUTH 24 PARGANAS.
 5. DETAIL OF RECTIFICATION DEED :-
 BOOK NO : I, VOL. NO: 1630-2022 , PAGE NO: 3980 TO 3990 , DATE : 22.09.2022
 BEING NO : 16300156 , OFFICE : D.S.R.V., SOUTH 24 PARGANAS.
 6. KMC MUTATION : 0/109/26-APR-22/42320 DATED 26/04/2022
 7. DETAIL OF REGISTERED BOUNDARY DECLARATION:-
 BOOK NO : I, VOL. NO: 1630-2022 , PAGE NO:165999 TO 166009, DATE : 22.09.2022
 BEING NO :163004508, OFFICE : D.S.R.V, SOUTH 24 PARGANAS.
 8. DETAIL OF REGISTERED SPLAYED PORTION OF LAND :-
 BOOK NO : I, VOL. NO:1630-2022, PAGE NO: 165956 TO 165967, DATE : 22.09.2022
 BEING NO :163004509 , OFFICE : D.S.R.V, SOUTH 24 PARGANAS.

9) NO OF STOREY - G + III
 10) NO. OF TENEMENTS - 06 NOS.
 11) SIZE OF TENEMENTS - 50 to 75 Sq.M. = 6 NOS.

PART-B:
 AREA OF LAND : AS PER DEED AND ASSESSMENT BOOK COPY : 3 K -1 CH - 20 SFT / 206.707 SQ.M.
 AS PER PHYSICAL MEASUREMENT : 206.707 SQ.M.
 AREA OF SPLAYED PORTION OF LAND : 0.863 SQ.M / 9.289 SFT.
 NET LAND AREA : 206.707 - 0.863 = 205.844 SQ.M.

2. (I) PERMISSIBLE GROUND COVERAGE = (59.776 %) = 123.561 SQ.M.
 (II) PROPOSED GROUND COVERAGE = (55.400 %) = 114.516 SQ.M.

3. PROPOSED HEIGHT = 12.400 M.
 4. ROAD WIDTH = 6.277 M.(MIN)

DECLARATION BEFORE 1ST CLASS JUDICIAL MAGISTRATE ALIPORE REGARDING DAG AND KHATIAN NO. VIDE NO.-65212 DATED 01/12/2022.

4. PROPOSED AREA :-						
FLOORS	GROSS COVERED AREA	STAR DUCT AREA	LIFT VOID AREA	NET FLOOR AREA	STAR+ LIFT LOBBY	NET FLOOR AREA
GRO. FLOOR	92.438 SQ.M	92.438 SQ.M	9.900 SQ.M	1,022 SQ.M
1ST FLOOR	114.516 SQ.M	1.610 SQ.M	112.906 SQ.M	9.900 SQ.M	1,022 SQ.M
2ND FLOOR	114.516 SQ.M	1.610 SQ.M	112.906 SQ.M	9.900 SQ.M	1,022 SQ.M
3RD FLOOR	114.516 SQ.M	1.610 SQ.M	112.906 SQ.M	9.900 SQ.M	1,022 SQ.M
TOTAL	435.986 SQ.M	4.830 SQ.M	431.156 SQ.M	39.600 SQ.M	384.268 SQ.M

5. TENEMENTS & CAR PARKING CALCULATION :-
 (A) RESIDENTIAL:-

MARKED	TENEMENT SIZE	PROPORTIONAL AREA TO BE ADDED	ACTUAL TENEMENT AREA	NO. OF TENEMENT	REQUIRED CAR PARKING
A	51.003 SQ.M	11.232 SQ.M	62.235 SQ.M	3	01 NO.
B	49.292 SQ.M	10.855 SQ.M	60.147 SQ.M	3	

6. a) TOTAL REQUIRED CAR PARKING :- 01 NO.
 b) TOTAL PROPOSED CAR PARKING :- 01 NO.
 7. a) PROPOSED AREA OF PARKING :- 64.011 SQ.M.
 b) REQUIRED AREA OF PARKING - 25.000 SQ.M.
 8. PERMISSIBLE F.A.R = 1.750
 9. PROPOSED F.A.R = (384.268 - 25) / 206.707 = 1.738 < 1.75
 10. STAIR HEAD ROOM AREA :- 12.498 SQ.M.
 11. OVER HEAD TANK AREA :- 4.293 SQ.M.
 12. LIFT M/C ROOM COVER AREA :- 9.333 SQ.M.
 13. STAIR AREA FOR L.M.R. ROOM:- 3.425 SQ.M.
 14. TERRACE AREA :- 114.516 SQ.M.
 15. TOTAL LOFT AREA :- NIL.
 16. TOTAL C.B. AREA :- 3.600 SQ.M.
 17. EXEMPTED AREA :- 46.892 SQ.M.
 18. ADDITIONAL AREA FOR FEES = (25.256+3.600) = 28.856 SQ.M. (EXEMPTED+L.M.R. STAIR AREA)

19. HEIGHT OF THE BUILDING = 12.400 M.
 20. DEPTH OF THE BUILDING = 11.575 M.
 21. FRONTAGE OF THE PLOT = 10.338 M.
 22. HEIGHT OF STAIR HEAD ROOM = 2.400 M.
 23. WIDTH OF RESIDENTIAL STAIR = 1.100 M.
 24. WIDTH OF LIFT = 1.150 M.

25. TREE COVERED AREA :-
 (A) PERMISSIBLE AREA :- 2.253 SQ.M.
 (B) PROPOSED AREA :- 2.446 SQ.M.

SPECIFICATIONS

- R.C.C. FRAME STRUCTURE WITH CONC. GRADE M 20 & Fe 415.
- 200 M.M. THK. EXTERNAL 125 & 75 M.M. THK. INTERNAL WALLS WITH 1:4 CEMENT MORTAR JOINTS.
- STEEL Z- SECTION WINDOWS.
- ALL FLOORS ARE MARBLE FLOORING & WATER TIGHT.
- 1:5 & 1:4 CEMENT PLASTER ON INTERNAL WALLS AND CEILING RESPECTIVELY.
- WATER PROOFING TREATMENT ON ROOF, OVERHEAD WATER TANK.
- P.O.P. PUNNING ON INTERNAL WALLS & CEILING.

CERTIFICATE OF GEO-TECHNICAL ENGINEER

UNDERSIGNED HAS INSPECTED THE SITE & CARRIED OUT THE SOIL INVESTIGATION THEREIN. IT IS CERTIFIED THAT EXISTING SOIL OF THE SITE IS ABLE TO CARRY THE LOAD COMING FROM THE PROPOSED CONSTRUCTION AND THE FOUNDATION SYSTEM THEREIN IS SAFE & STABLE IN ALL RESPECT FROM GEO-TECHNICAL POINT OF VIEW.

KALLOL KUMAR GHOSHAL (G.T/III/14)
 NAME OF GEO-TECHNICAL ENGINEER

CERTIFICATE OF STRUCTURAL ENGINEER

THE STRUCTURAL DRAWING AND DESIGNED OF BOTH FOUNDATION AND SUPERSTRUCTURE OF THE BUILDING HAS BEEN MADE BY ME CONSIDERING ALL POSSIBLE LOAD INCLUDING THE WIND LOAD AND SEISMIC LOAD AS PER THE N.B.C OF INDIA BASED ON SOIL TEST DONE BY KALLOL KUMAR GHOSHAL (G.T/III/14) OF TECHNO SOIL OF F-25, C.I.T MARKET, JADAVPUR, KOL-32, CERTIFIED THAT IS SAFE AND STABLE IN ALL RESPECT.

AVJIT SEN GUPTA (ESE/III/14)
 NAME OF E.S.E.

CERTIFICATE OF L.B.S.

CERTIFIED WITH FULL RESPONSIBILITY THAT THE BUILDING PLAN HAS BEEN DRAWN UP AS PER PROVISION OF K.M.C. BUILDING RULES 2009 AS AMENDED FROM TIME TO TIME & THAT THE SITE CONDITION INCLUDING THE ABUTTING K.M.C. ROAD OF WIDE 6.277M. ON THE SOUTHERN SIDE & 3.541 M ON WESTERN SIDE CONFORMS WITH THE PLAN WHICH HAS BEEN MEASURED AND VERIFIED BY ME. IT IS A BUILDABLE SITE AND NOT A TANK OR FILLED UP TANK. THE LAND IS DEMARCATED BY BOUNDARY WALL. THE CONSTRUCTION OF S.U.G.W.R TANK WILL BE COMPLETED BEFORE STARTING OF BUILDING FOUNDATION WORK. THE PLOT ABUTS WITHIN 500 M FROM C.I.L OF E.M BYPASS.

SUMIT KUMAR BANDYOPADHYAY (LBS/II/1068)
 NAME OF L.B.S.

DECLARATION OF OWNER

I DO HERE BY DECLARE WITH FULL RESPONSIBILITY THAT, I SHALL ENGAGE L.B.S & E.S.E. DURING CONSTRUCTION. I SHALL FOLLOW THE INSTRUCTION OF L.B.S & E.S.E. DURING CONSTRUCTION OF THE BUILDING (AS PER PLAN) K.M.C AUTHORITY WILL NOT BE RESPONSIBLE FOR STRUCTURAL STABILITY OF THE BUILDING & ADJOINING STRUCTURE, IF ANY SUBMITTED DOCUMENT ARE FOUND FAKE. THE K.M.C AUTHORITY MAY REVOKE THE SANCTION PLAN. THE CONSTRUCTION OF S.U.G.W.R TAKEN UNDER THE GUIDANCE OF L.B.S/E.S.E BEFORE STARTING OF BUILDING FOUNDATION.DURING DEPARTMENTAL INSPECTION THE PLOT IS IDENTIFIED BY ME.

NAME OF OWNER
 KALPANA KARMAKAR

B.P. NUMBER : 2022120417 VALID UPTO : 12-DEC-27
 SANCTION DATE : 13-DEC-22

SIGNATURE OF A.E.

GROUND FLOOR PLAN, TYPICAL (1ST TO 3RD) FLOOR PLAN, ROOF PLAN, SECTION - AA & BB . FRONT & NORTH SIDE ELEVATION.

PROJECT.
 PLAN OF PROPOSED (G+III) STORIED (HT.- 12.400 M.) RESIDENTIAL BUILDING U/S 393A OF K.M.C. K.M.C. ACT 1980 AND AS PER B/R 2009 READ WITH OFFICE CIRCULAR NO. 07 OF 2019-20 DATED 01/11/2019 VIDE RESOLUTION OF M.I.C MEETING ITEM NO MOA 90.11 DATED 23/10/2019 AT PRE. NO.- 18, CHAK GARIA, DAG NO.-01, KHATIAN NO-10, MOUZA - CHAK GARIA, KOLKATA - 700 094, WARD NO -109, BOROUGH - XII, P.S. - PANCHASAYAR.